



Greenhouse Fans

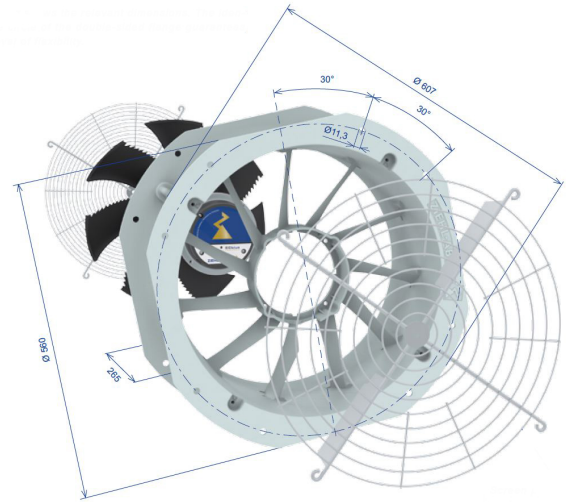
Ziehl-Abegg Greenhouse Fans

Correct ventilation plays a key role in greenhouses. The air available must be circulated, exchanged and evenly distributed. Greenhouse fans must be designed to be robust and durable for continuous service in high and very high humidity. Their performance cannot be affected by organic or chemical particles in the air.

- Even distribution of heat and air humidity
- Prevention of fungal and pest infestation
- Low operating costs, durability, easy assembly
- Fan speed adjustability
- Throw distance
- Volume m3/hr

Model # 173000
6,042 m3/hr
40 m throw

Model # 173003
4,536 m3/hr
34 m throw



Priva ECO Fan+ for Healthy Crops

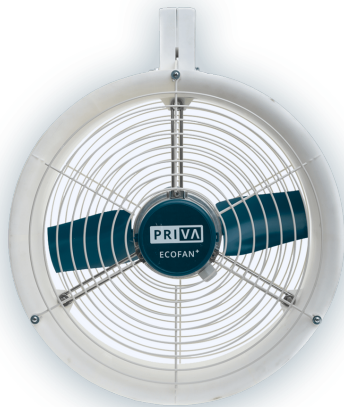
A greenhouse interior climate is far from balanced. Temperatures, degrees of humidity and levels of CO2 all vary. These variations can influence returns and quality, whichever crops you are growing. Recirculation fans provide a more evenly balanced climate within your greenhouse. As the air circulates, it helps leaves to perspire, preventing overheating and scorching – and promoting even growth and better resistance against disease. In short, Priva EcoFan+ contributes to healthy crops with maximum energy efficiency.

Horizontal or Air Hose Ventilation

EcoFan+ is applicable as a horizontal fan, in series or parallel, or as a fan system using air hoses. Air hoses can be fitted below your crop or alternatively at the top of the greenhouse. EcoFan+ air hoses are available in white and transparent editions.

ECO Fan+ 4550
4,600 m³/h
41 m throw

ECO Fan+ 5400
5,440 m³/h
48 m throw



Stolze CAF-45 Series Greenhouse Fan

